

## Mounting Instructions

### FR 1535, FR 1550, FR 1560 Pencil Tray Pull-Outs



FR1535



FR1550



FR1560

#### Features

- ⇨ These pencil tray pull-outs provide a complete solution in one compact unit
- ⇨ The front of the tray allows easy attachment of a drawerfront
- ⇨ Top mount brackets are supplied
- ⇨ Option: The FR311 and FR5162 slides can also be used with these pencil trays

# Mounting Instructions

## FR 1535, FR 1550, FR 1560 Pencil Tray Pull-Outs

Diagram 1

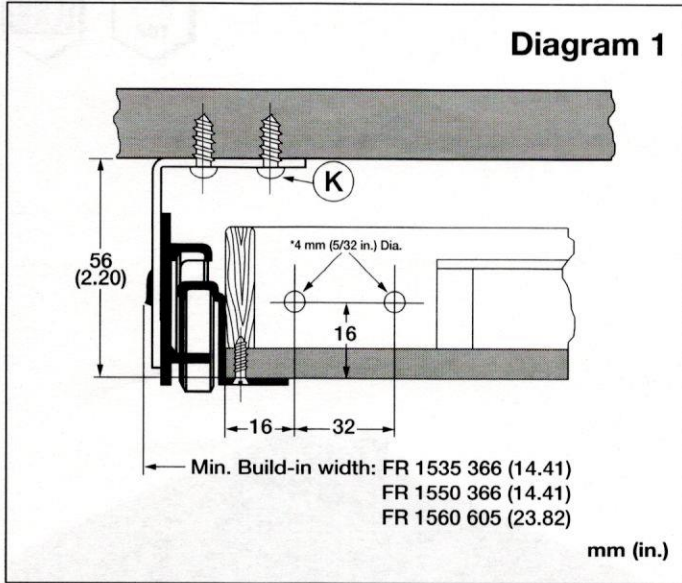


Diagram 2

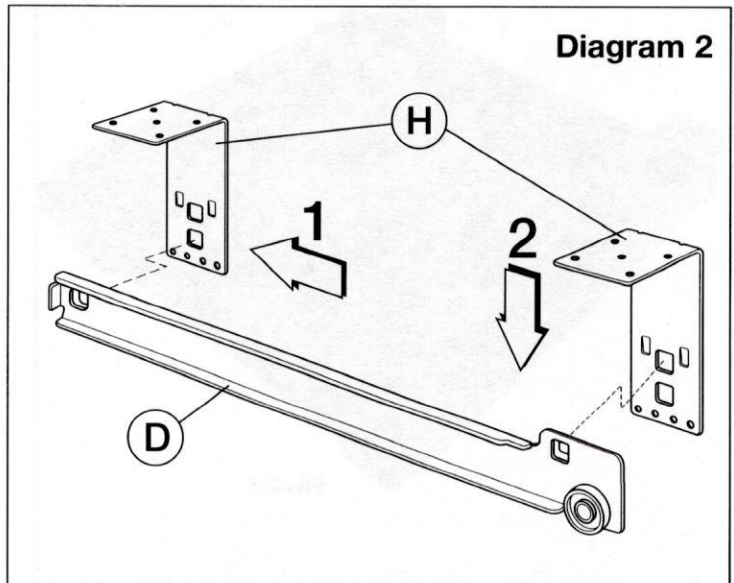


Diagram 3

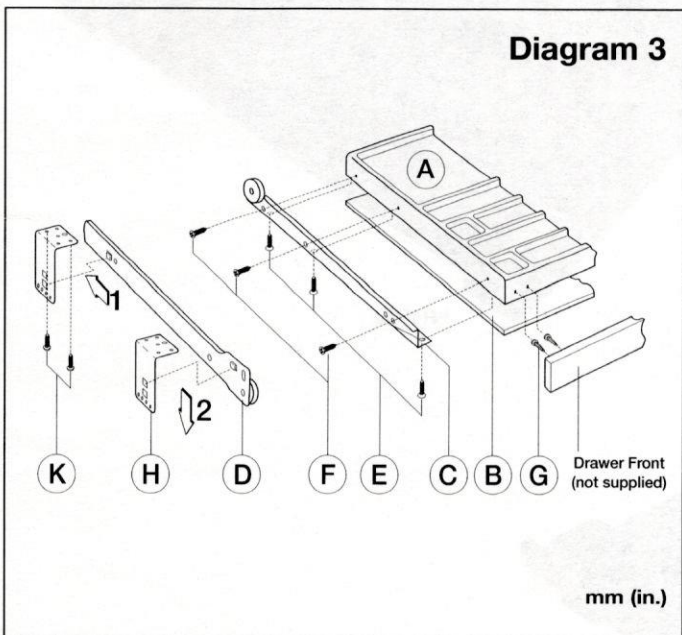
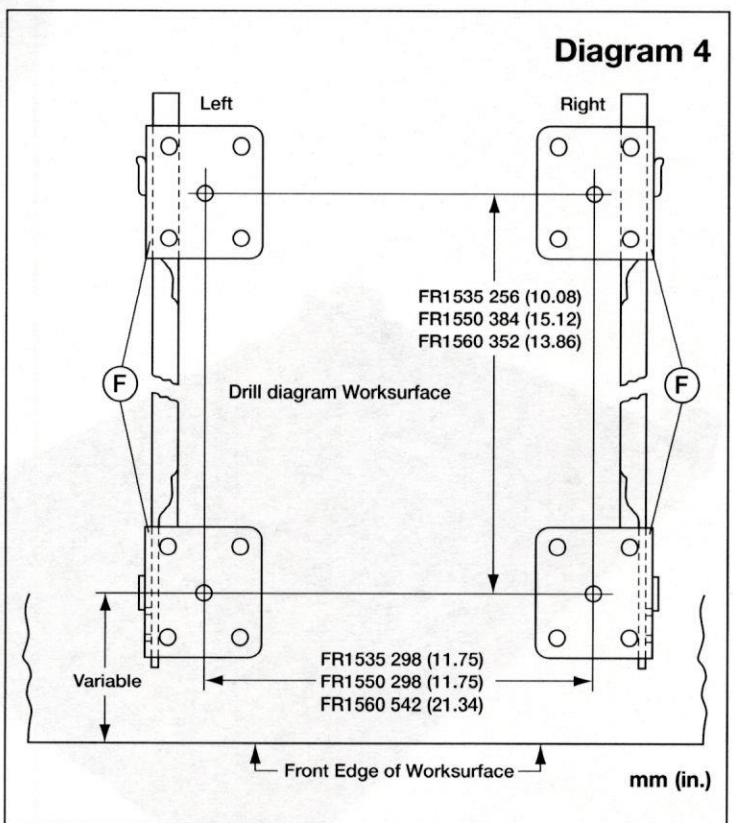


Diagram 4



1. If a drawer front (not supplied) needs to be attached, drill holes according to Diagram 1. Use #6 x 3/4" panhead screws (G) (not supplied). Be sure the drawer front is in the correct position before attaching bottom (B) into tray (A) with either hot-melt glue or double-sided tape.
2. Attach drawer profile (C) to tray (A) and bottom (B) with screws (E and F). See Diagram 3.
3. Attach cabinet profile (D) to the top mounting brackets (H) See Diagram 2. Use screws (K) to mount brackets (H) to worksurface. See Diagram 4.

### Fasteners Supplied:

- E 8 pcs. #6 x 5/8 in. black
- F 8 pcs. #6 x 7/16 in. black
- K 12 pcs. #6 x 5/8 in. black, panhead